



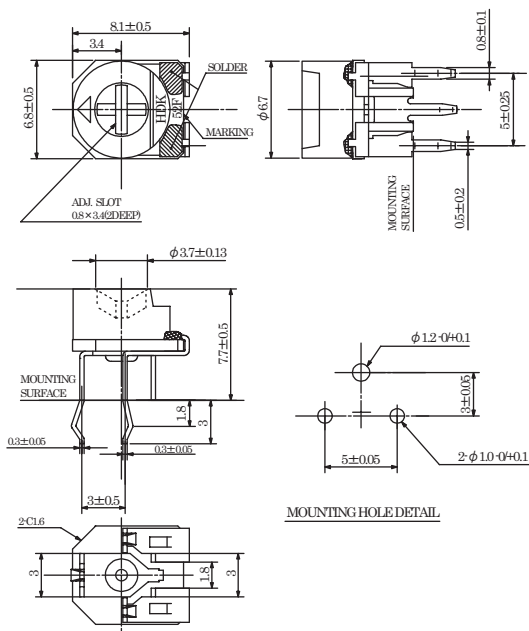
# Miniature Cermet Trimmer Potentiometers

## ■ Features

- Dimension 6.8 mm × 8.1 mm
- Lead Spacing 5 mm × 3 mm
- For resistance adjustment, knob can be tuned by commercially-available driver.
- High flame-retardant material is used for knob.(V-0)
- This is High-rated type.
- Feeding method is bulk.
- Pb-free for environmental-friendly.



## ■ Dimensions (Unit:mm)



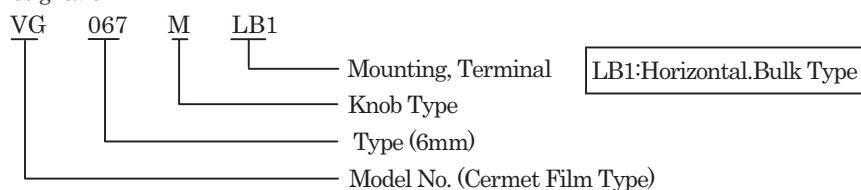
## ■ Applications

- For Deflection Yoke

## ■ Specifications

Item	Specification	Unit	Note
Operating Temperature Range	-30 ~ +120	°C	
Storage Temperature Range	-40 ~ +120	°C	
Resistance Range	10,20,50,100,200,500	Ω	
Resistance Tolerance	± 15	%	
Power Rating	0.7	W	
Max. Working Voltage	100	V	
Rotation Angle	240±10	°	
Operation Torque	2.94~29.4	mN·m	
Concentrated Contact Resistance	Within 4% of Total Resistance Value	%	
Noise(Contact Resistance Variation)	Within 3% of Total Resistance Value	%	
Ineffective Variable Range	Within 10% of Total Rotation Angle	%	
Temperature Coefficient	± 250	ppm/°C	

## ■ Model Designation

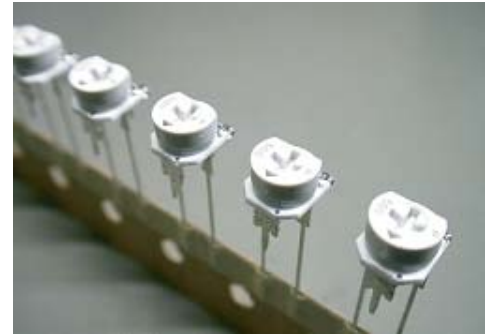




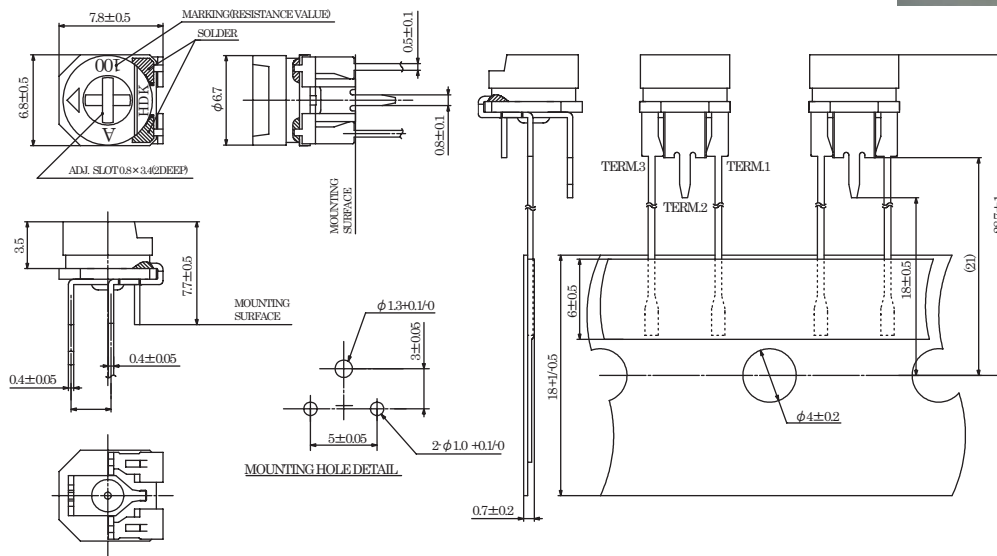
# Miniature Cermet Trimmer Potentiometers

## ■ Features

- Dimension 6.8 mm × 7.8 mm
- Lead Spacing 5 mm × 3 mm
- For resistance adjustment, knob can be tuned by commercially-available driver.
- High flame-retardant material is used for knob.(V-0)
- This is High-rated type.
- Feeding method is Taping.
- Pb-free for environmental-friendly.



## ■ Dimensions (Unit:mm)



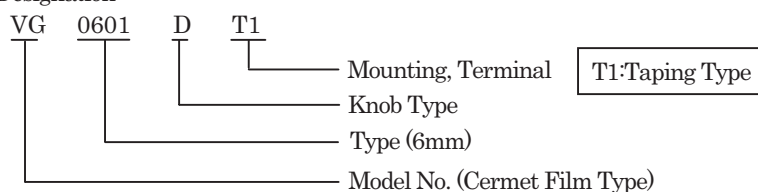
## ■ Applications

- For Deflection Yoke

## ■ Specifications

Item	Specification	Unit	Note
Operating Temperature Range	-30 ~ +120	°C	
Storage Temperature Range	-40 ~ +120	°C	
Resistance Range	10,20,50,100,200,500	Ω	
Resistance Tolerance	± 15	%	
Power Rating	0.7	W	
Max. Working Voltage	100	V	
Rotation Angle	240±10	°	
Operation Torque	2.94~29.4	mN·m	
Concentrated Contact Resistance	Within 4% of Total Resistance Value	%	
Noise(Contact Resistance Variation)	Within 3% of Total Resistance Value	%	
Ineffective Variable Range	Within 10% of Total Rotation Angle	%	
Temperature Coefficient	± 250	ppm/°C	

## ■ Model Designation

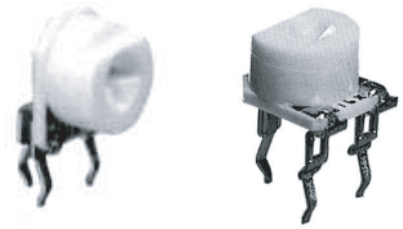




# Miniature Cermet, Carbon-Ceramic Trimmer Potentiometers

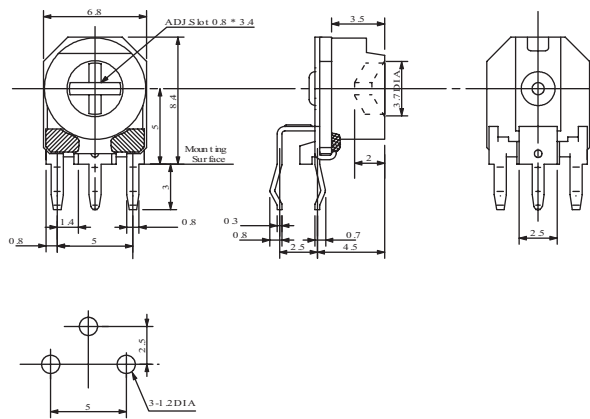
## ■ Features

- Adjustment screw, either  $\ominus$   $\ominus$  is available
- Automatic adjustable
- Endurance to environmental test

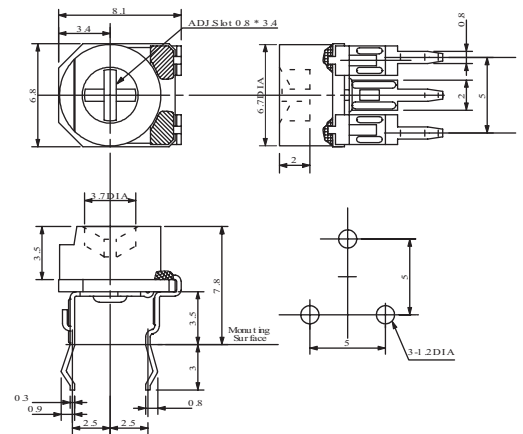


## ■ Dimensions (Unit: mm)

TH1



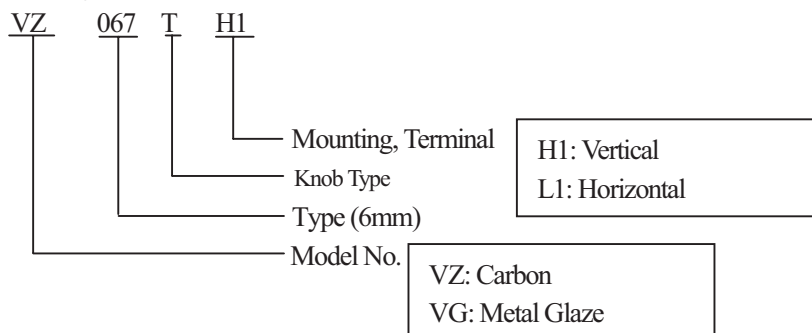
TL1



## ■ Specification

Item	Specification	Unit	Note
Resistance Range	100 ~ 1 M(1,2,3,5 Series)	$\Omega$	
Resistance Tolerance	$\pm 25$	%	
Residual Resistance	Within 1% of total Resistance Value 1 k $\Omega$ : 10 $\Omega$ Max. 100 k $\Omega$ < 5% Max.	%	
Power Rating	VZ Type 0.1 (at 70°C) 0 (at 100°C) VG Type 0.2 (at 70°C) 0 (at 100°C)	W	
Max. Working Voltage	100V or $\sqrt{PR}$ = V whichever is smaller	V	
Temp. Range	-25 ~ +100	$^{\circ}\text{C}$	
Temp. Coefficient	$\pm 250$	ppm/ $^{\circ}\text{C}$	VG Type
Noise(Contact Resistance Variation)	Within 4% of total Resistance Value	%	
Rotation Angle	240 $\pm 10$	$^{\circ}$	
Operation Torque	2.94 ~ 29.4	m N $\cdot$ m	
Stop Strength	49.0 Min.	m N $\cdot$ m	

## ■ Model Designation

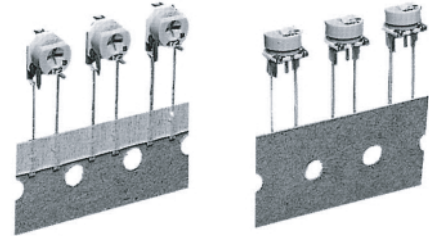




# Miniature Cermet, Carbon-Ceramic Trimmer Potentiometers

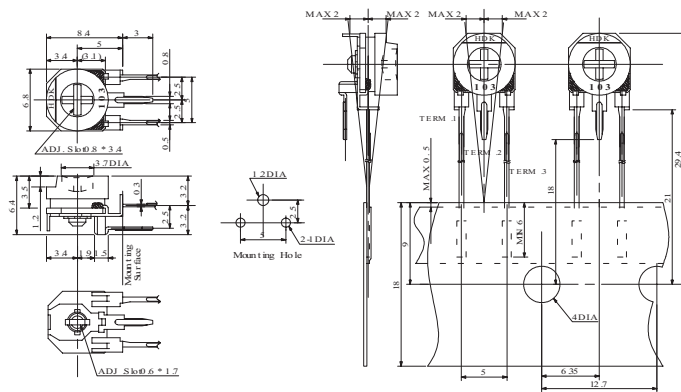
## ■ Features

- Adjustment screw, either  $\oplus$   $\ominus$  is available
- Rear side adjustable
- Auto insertion with radial taping
- Endurance to environmental test

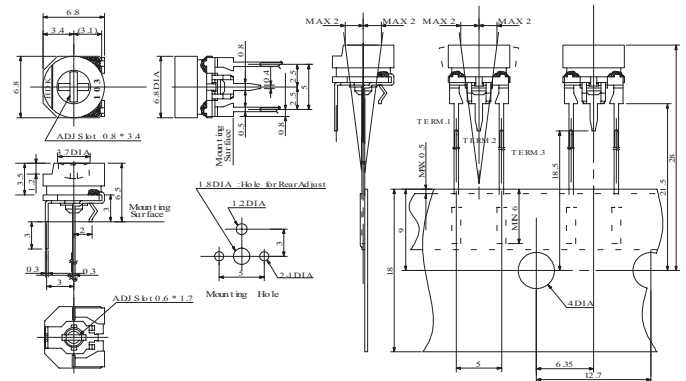


## ■ Dimensions (Unit:mm)

### THT



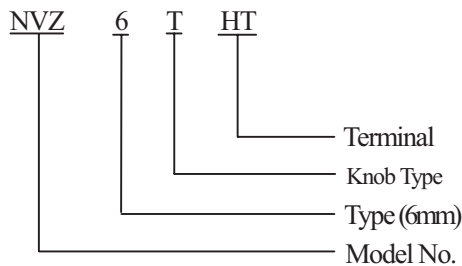
### TLTA



## ■ Specification

Item	Specification	Unit	Note
Resistance Range	100 ~ 1 M(1,2,3,5 Series)	$\Omega$	
Resistance Tolerance	$\pm 30$	%	
Residual Resistance	Within 2% of total Resistance Value 1 k $\Omega$ ~ 20 $\Omega$ Max. 100 k $\Omega$ < 5% Max.	%	
Power Rating	VZ Type 0.1 (at 70 $^{\circ}$ C) 0 (at 100 $^{\circ}$ C) VG Type 0.3 (at 70 $^{\circ}$ C) 0 (at 100 $^{\circ}$ C)	W	
Max. Working Voltage	100V or $\sqrt{PR} = V$ whichever is smaller	V	
Temp. Range	-25 ~ +100	$^{\circ}$ C	
Temp. Coefficient	$\pm 250$	ppm/ $^{\circ}$ C	VG Type
Noise(Contact Resistance Variation)	Within 4% of total Resistance Value	%	
Rotation Angle	240 $\pm 10$	$^{\circ}$	
Operation Torque	0.98 ~ 29.4	m N $\cdot$ m	
Stop Strength	49.0 Min.	m N $\cdot$ m	

## ■ Model Designation



- HT: Vertical Taping
- LTA: Horizontal Taping
- NVZ: Carbon
- NVG: Metal Glaze