



# Chip Type Cermet Trimmer Potentiometer

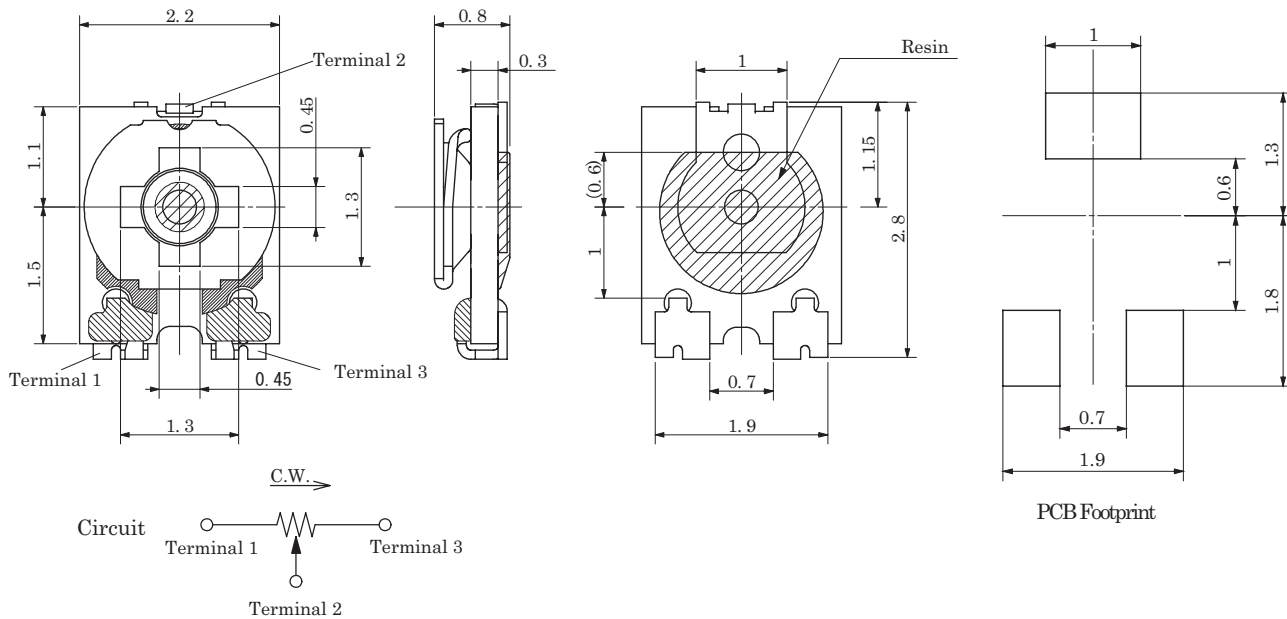
2mm size, Low profile type

## ■ Features

- Low profile type (0.8mm in height)
- Achieved excellent endurance characteristics by using "Metal-glaze" film.
- Conform to RoHS Directives
- Reflow solderable



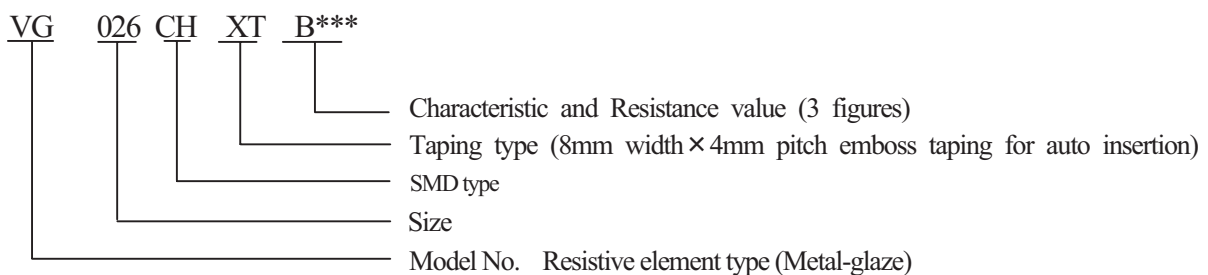
## ■ Dimensions Unit (mm)



## ■ Specification

Item	Specification	Unit	Note
Nominal Total Resistance	100 ~ 1 M	$\Omega$	
Resistance Tolerance	$\pm 25$	%	
Rotational Torque	0.49 ~ 7.84	mN·m	
Total Mechanical Rotation Angle	$240 \pm 20$	$^\circ$	Without stopper
Rated Wattage	0.1	W	
Max. Working Voltage	50 or $V = \sqrt{PR}$ whichever is smaller	V	
T.C.R. (Temperature Coefficient of Resistance)	$\pm 250$	ppm/ $^\circ\text{C}$	
Operating Temperature Range	-40 ~ 100	$^\circ\text{C}$	

## ■ Model Designation



\*Packaging Quantity : 3,000pcs / Reel



# Chip Type Cermet Trimmer Potentiometer

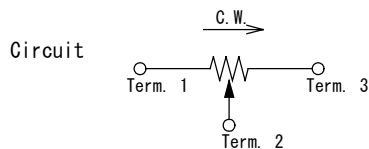
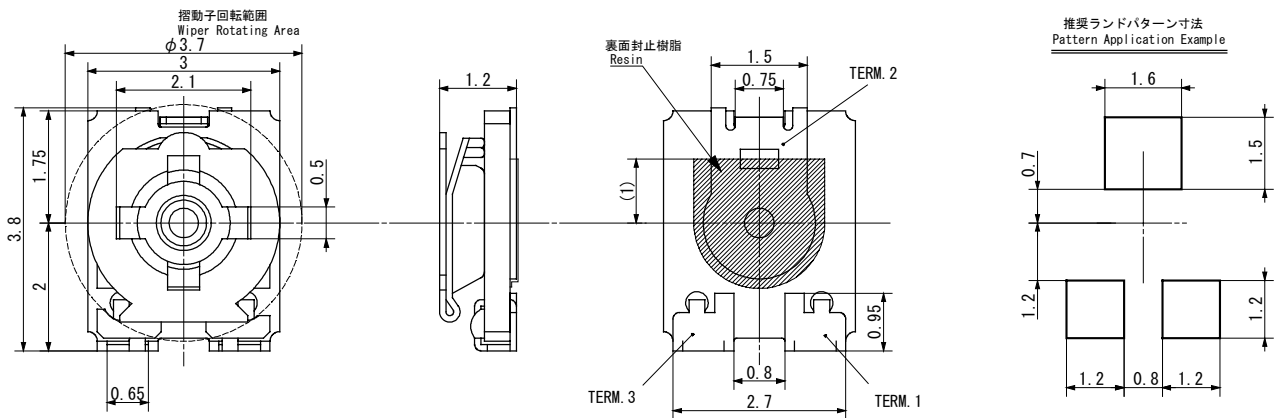
3mm size, Low profile type

## ■ Features

- Low profile type ( 1.2mm in height )
- Achieved good endurance characteristics by using "Metal-glaze" for the material of resistor
- Conforms to RoHS Directives
- Reflow solderable



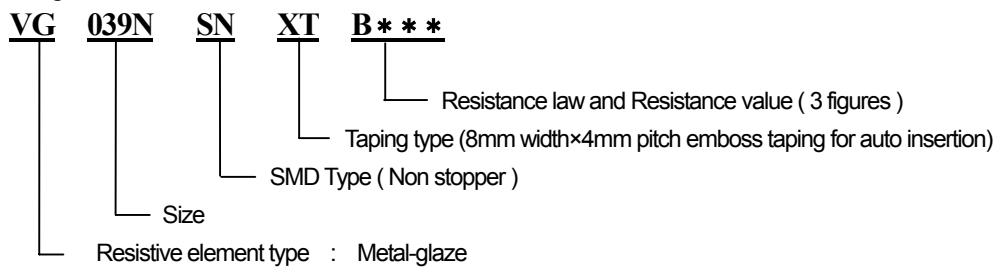
## ■ Outline Dimensions (Unit : mm)



## ■ Specification

Item	Specification	Unit	Note
Nominal Total Resistance	100~1M	Ω	
Resistance Tolerance	±25	%	
Rotational Torque	0.98~11.76	mN.m	
Effectively Rotary Angle	270 ± 20	°	Non stopper
Rated Wattage	0.15	W	
Max. Rated Voltage	50 or $V = \sqrt{PR}$ whichever is smaller	V	
T.C.R (Temperature Coefficient)	±250	ppm/°C	
Operating Temp. Range	-40 ~ +100	°C	

## ■ Part Designation



\* Packaging Quantity : 2500 pcs / Reel



# Chip Type Cermet Trimmer Potentiometer

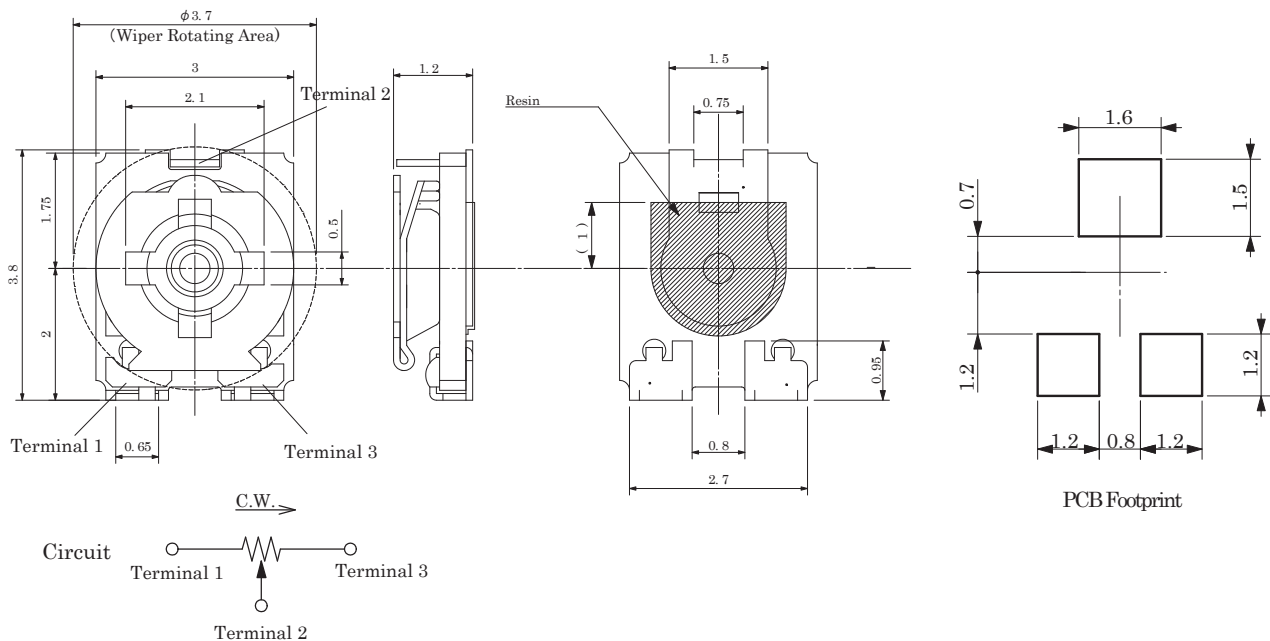
3mm size, Low profile type

## ■ Features

- Low profile type (1.2mm in height)
- With rotation stopper
- Achieved excellent endurance characteristics by using "Metal-glaze" film.
- Conform to RoHS Directives
- Reflow solderable



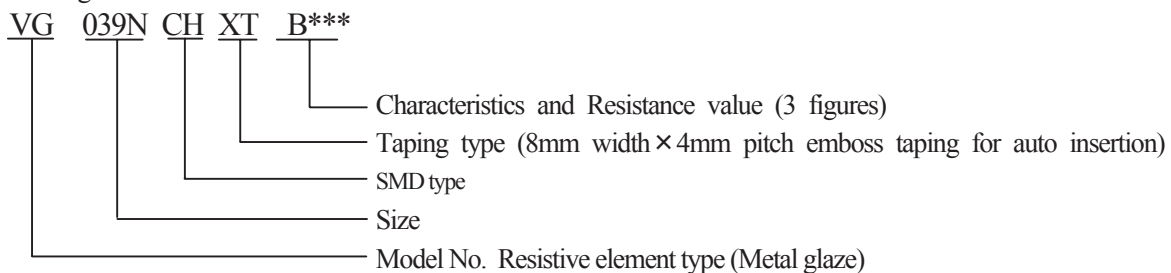
## ■ Dimensions (Unit: mm)



## ■ Specification

Item	Specification	Unit	Note
Nominal Total Resistance	100 ~ 1 M	$\Omega$	
Resistance Tolerance	$\pm 25$	%	
Rotational Torque	0.98 ~ 11.76	mN·m	
End Stop Strength	14.7 min.	mN·m	
Total Mechanical Rotation Angle	$270 \pm 20$	$^{\circ}$	With rotation stopper
Rated Wattage	0.15	W	
Max. Working Voltage	50 or $V = \sqrt{PR}$ whichever is smaller	V	
T.C.R. (Temperature Coefficient of Resistance)	$\pm 250$	ppm/ $^{\circ}C$	
Operating Temperature Range	-40 ~ 100	$^{\circ}C$	

## ■ Model Designation



\*Packaging Quantity : 2,500pcs / Reel



# Chip Type Cermet Trimmer Potentiometer

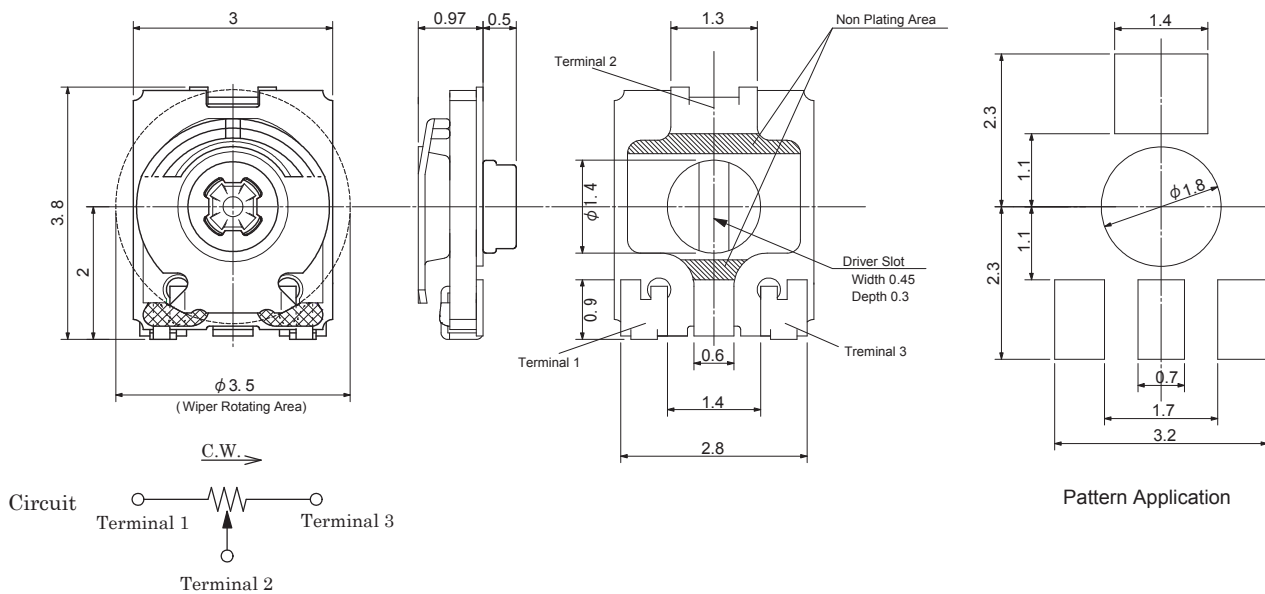
3mmsize, Back side adjust type

## Features

- Adjusting from back side and low profile type
- Non Rotation Stopper
- Achieved excellent endurance characteristics by using "Metal-glaze" film.
- Conform to RoHS Directives
- Reflow solderable



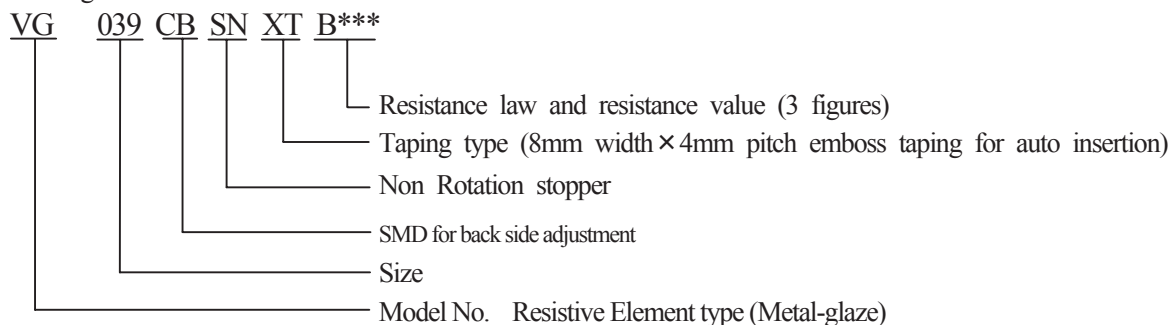
## Dimensions (Unit: mm)



## Specification

Item	Specification	Unit	Note
Nominal Total Resistance	100 ~ 1 M	Ω	
Resistance Tolerance	±25	%	
Rotational Torque	0.98 ~ 7.84	mN·m	
Total Mechanical Rotation Angle	260 ± 20	°	Non rotation stopper
Rated Wattage	0.15	W	
Max. Working Voltage	50 or $V = \sqrt{PR}$ whichever is smaller	V	
T.C.R. (Temperature Coefficient of Resistance)	±250	ppm/°C	
Operating Temperature Range	-40 ~ 100	°C	

## Model Designation



\*Package Quantity : 2,000 pcs / Reel